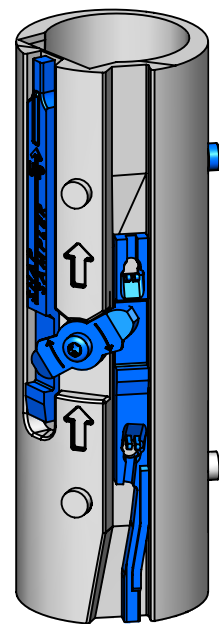
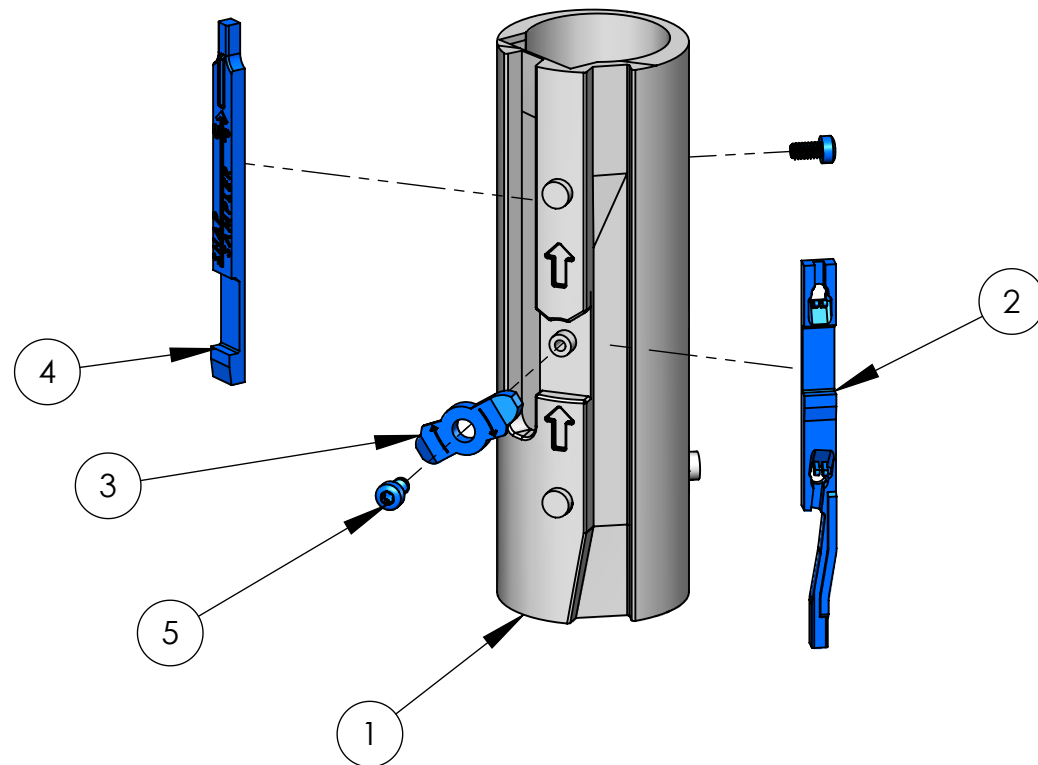


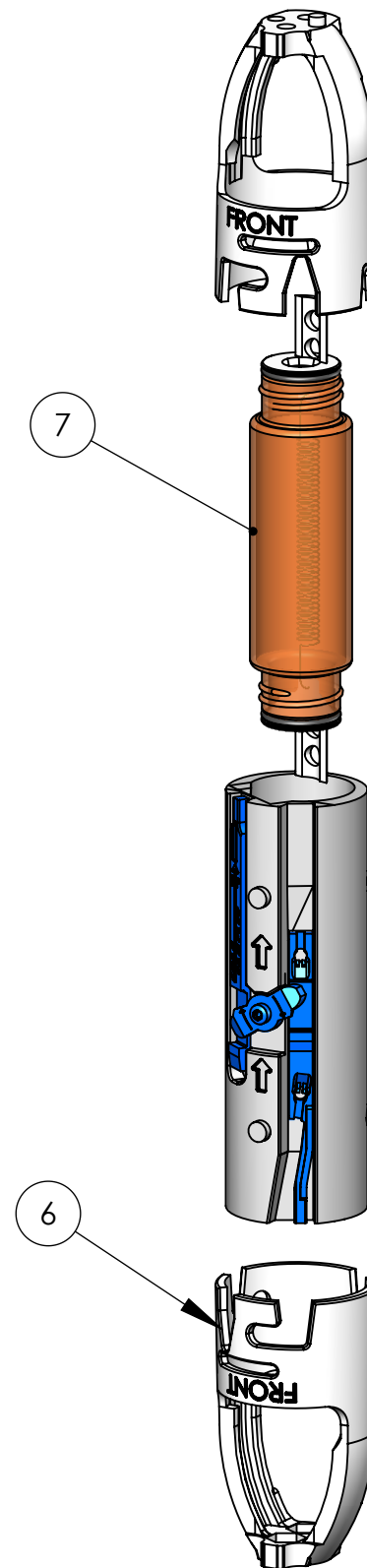
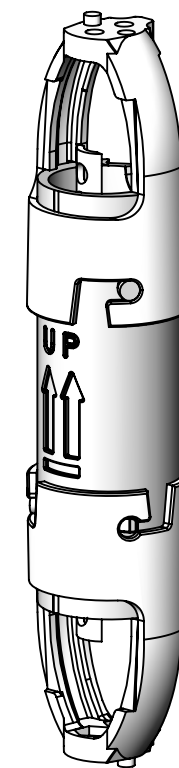
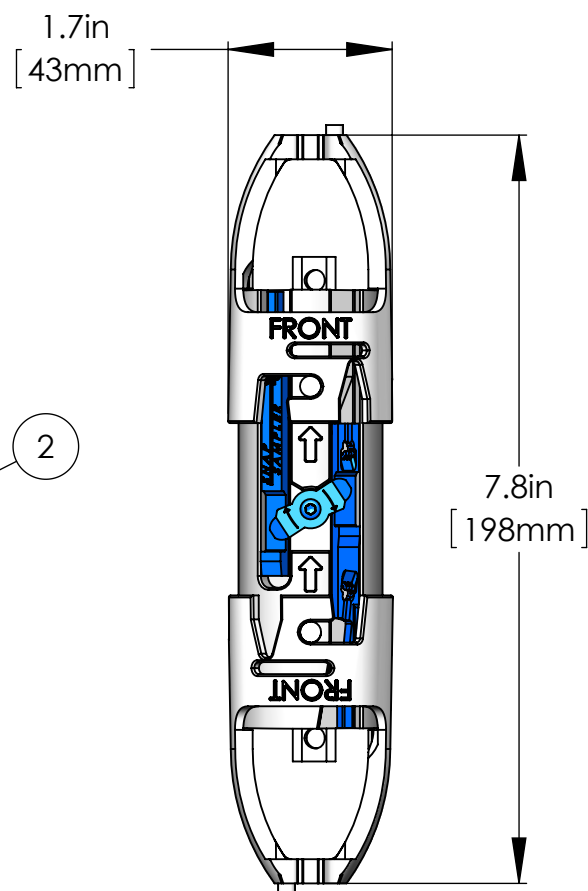
ITEM NO.	DESCRIPTION	QTY.
1	40mL SAMPLER BODY	1
2	LOWER RELEASE PIN (SHORT)	1
3	RELEASE PIN LEVER	1
4	UPPER RELEASE PIN	1
5	4-40 SCREW (PLASTIC)	2
6	TWIST-ON CONNECTOR	2
7	40mL BOTTLE, CLEAR OR AMBER (SHOWN)	1



SCALE 1 : 1.5



SCALE 1 : 1.5



UNLESS OTHERWISE SPECIFIED:
 DIMENSIONS ARE IN INCHES
 TOLERANCES:
 FRACTIONAL: $\pm 1/16$
 ANGULAR: 1°
 TWO PLACE DECIMAL ± 0.01
 THREE PLACE DECIMAL ± 0.005
 INTERPRET GEOMETRIC
 TOLERANCING PER:
 ASME Y14.5-2009

DRAWN	NAME	DATE
	MAB	01/02/13
CHECKED		
ENG APPR.		
MFG APPR.		
Q.A.		
COMMENTS:	1in [25.4mm]	

ProHydro, Inc.		
<small>MADE IN THE USA 585-385-0023 www.prohydro.com</small>		
TITLE: 40mL SNAP SAMPLER		
SIZE	PART NO.	REV
B		
SCALE: 1:2	WEIGHT:	SHEET 1 OF 2

PROPRIETARY AND CONFIDENTIAL
 THE INFORMATION CONTAINED IN THIS DRAWING IS THE SOLE
 PROPERTY OF PROHYDRO INC. ANY REPRODUCTION IN PART OR
 AS A WHOLE WITHOUT THE WRITTEN PERMISSION OF PROHYDRO
 INC. IS PROHIBITED.

DO NOT SCALE DRAWING

ITEM NO.	DESCRIPTION	QTY.
1	40mL SNAP SAMPLER ASSEMBLY	3
2	BALL END CONNECTOR (S.S.)	2
3	BALL END CONNECTOR (PLASTIC)	2
4	SCREW (PLASTIC)	4
5	HEX NUT (PLASTIC)	4

D

C

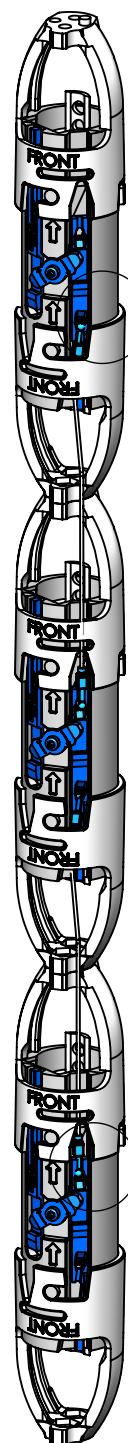
B

A

TOP

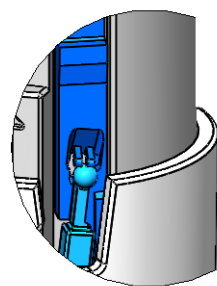
MIDDLE

BOTTOM

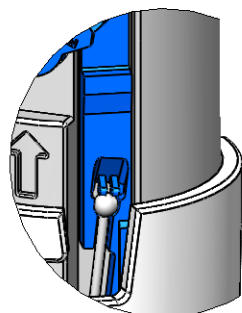


A

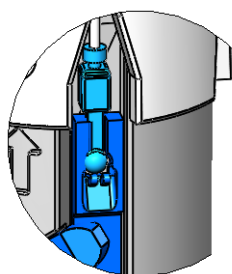
B



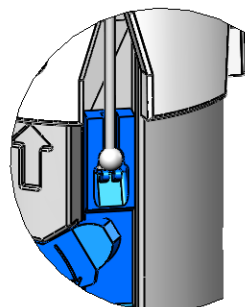
DETAIL A
PLASTIC CONNECTOR
CABLE INSERTION



DETAIL A'
S.S. CONNECTOR
CABLE INSERTION



DETAIL B
PLASTIC CONNECTOR
CABLE INSERTION



DETAIL B'
S.S. CONNECTOR
CABLE INSERTION

NOTE:

- 40mL AND 125mL SNAP SAMPLERS ARE INTERCHANGEABLE AND CAN BE ASSEMBLED IN ANY COMBINATION UP TO 6 IN SERIES.
- EITHER CABLE CONNECTOR(S) (PLASTIC OR STAINLESS STEEL) CAN BE USED

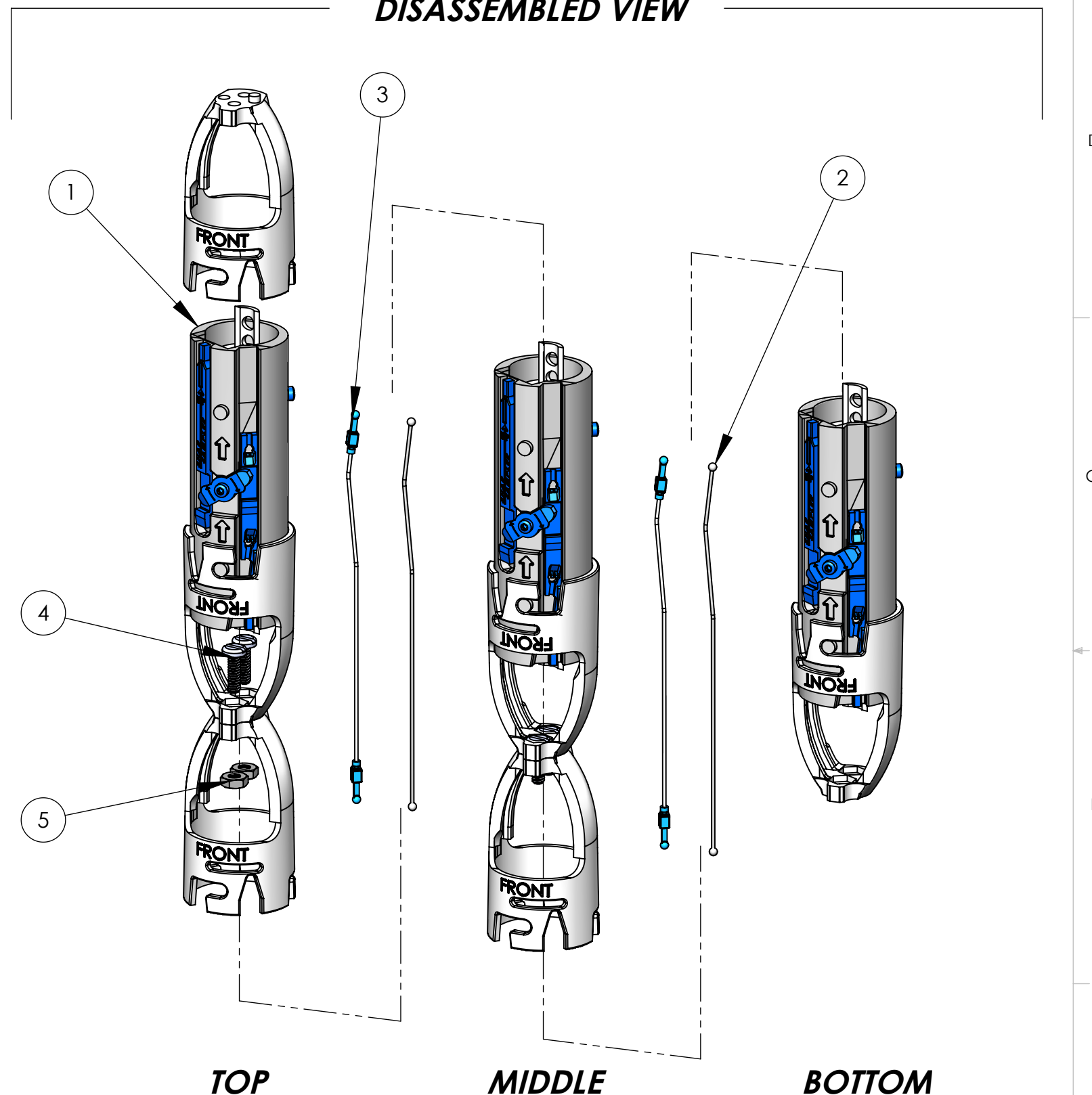
5

4

3

2

1

DISASSEMBLED VIEW

TOP

MIDDLE

BOTTOM

PROPRIETARY AND CONFIDENTIAL
THE INFORMATION CONTAINED IN THIS DRAWING IS THE SOLE PROPERTY OF PROHYDRO INC. ANY REPRODUCTION IN PART OR AS A WHOLE WITHOUT THE WRITTEN PERMISSION OF PROHYDRO INC. IS PROHIBITED.

UNLESS OTHERWISE SPECIFIED:
DIMENSIONS ARE IN INCHES
TOLERANCES:
FRACTIONAL: $\pm 1/16$
ANGULAR: 1°
TWO PLACE DECIMAL: ± 0.01
THREE PLACE DECIMAL: ± 0.005
INTERPRET GEOMETRIC TOLERANCING PER:
ASME Y14.5-2009
MATERIAL:
FINISH:
DO NOT SCALE DRAWING

DRAWN	NAME	DATE
MAB	MAB	01/02/13
CHECKED		
ENG APPR.		
MFG APPR.		
Q.A.		
COMMENTS:	1in [25.4mm]	

ProHydro, Inc.
MADE IN THE USA | 585-385-0023 | www.prohydro.com
TITLE:
40mL SNAP SAMPLER
SIZE PART NO. REV
B
SCALE: 1:2 WEIGHT: SHEET 2 OF 2

8

7

6

5

4

3

2

1